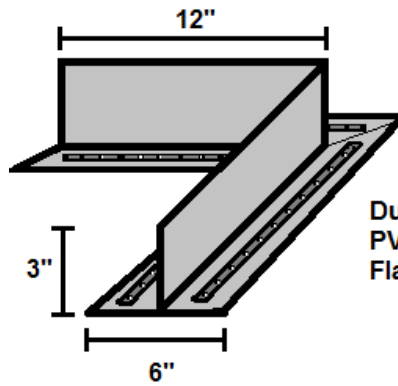
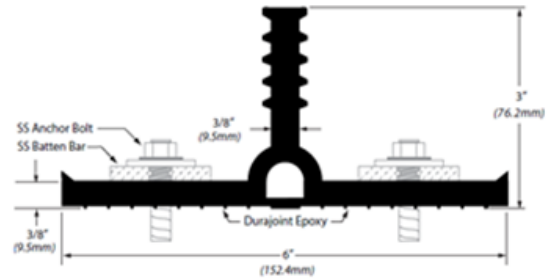


Retrofit/Post Applied Waterstop Kit Type 18RT – Flat Ell



**Durajoint Type 18RT
PVC Retrofit Waterstop
Flat Ell - 12" Legs**



Suggested Short Form Specification:

All waterstop shall be American owned and manufactured **Durajoint® PVC Waterstop**. It shall be an extrusion of virgin polyvinyl chloride and additional resins, plasticizers and stabilizers which meet or exceed the requirements of the Corps of Engineers (USACE) specifications. Types and dimensions of waterstop shall be those shown in the project specifications.

Physical Properties - PVC	Test Method	USACE Required Values	Competitor Test Values	Durajoint Test Values
Tensile Strength	ASTM D638	Not less than 1750	2000 psi	2395
Ultimate Elongation	ASTM D638	Not less than 300%	350%	374% min.
Specific Gravity	ASTM D792	---	1.38	1.36
Stiffness in Flexure	ASTM D747	Not less than 600 psi	700 psi	2374 psi min.
Tear Resistance	ASTM D624	---	300 lbs./in.	310 lbs./in. min.
Ozone Resistance	ASTM D1149	---	N/A	Passed
Low Temperature Brittleness	ASTM D746	Low Temp Pass at -35°F/-37°C	Passed	Passed
Hardness Shore A15	ASTM D2240	---	79 ± 3	76
Water Absorption	ASTM D570	---	0.15%	0.11%
US Army Corps of Engineers	---	---	---	---
Accelerated Extraction	CRD-C 572	---	---	---
▪ Ultimate Elongation	Par 7.1	Not less than 280%	300%	383%
▪ Tensile Strength	Par 7.1	Not less than 1500 psi	1600 psi	1808 psi min.
Effects of Alkali	CRD-C 572	---	---	---
▪ Loss Weight	Par 7.2	No less than .10 weight loss	-0.10	No Change
▪ Gain Weight	Par 7.2	No more than .25 weight gain	+0.25	0.17%
▪ Hardness Change	---	Not more than +/-5 change	+/-5 Points	+5